

Videojet® 1650

Small Character Ink Jet Printer

Ink Jet.

Laser.

Thermal Transfer.

Labelers.

Track & Trace.

Supplies.

Parts & Service.



When it comes to uptime and availability in high speed or challenging environments, nothing beats the Videojet 1650. Its advanced features and tools help minimize planned and unplanned downtime. The advanced CLARiTY user interface helps optimize Overall Equipment Effectiveness (OEE). It is ideal for multi-shift and extended production periods with line speeds up to 960 ft./min.

Uptime Advantage

- Dynamic Calibration™ and CleanFlow™ printhead technology keep your print quality optimal and let you run longer between printhead cleanings
- Longest run time between preventive maintenance—14,000 hour core life
- IP65 rating and 316 stainless steel cabinet for dusty and washdown environments

Productivity tools

- The user interface not only shows the printer availability percentage, but also the data behind it
- Advanced drill down capability to trace downtime events to their root cause, so you can fix them
- Configurable settings let you track availability to match your production processes and OEE methods

The Right Code

- Prevent costly coding mistakes with CLARiTY-based user interface
- Foolproof set-up wizards make it easy to get codes right and hard to get them wrong
- Further reduce errors by pulling data directly from database systems

Simple Operation

- Large responsive 10.4" touchscreen is easy to operate and visible from a distance
- Smart Cartridge™ fluid system significantly reduces waste, mess and mistakes

VIDEOJET®
Uptime Peace of Mind®



Line Speed Capability

Can print 1 to 5 lines of print at speeds of up to 960 fpm (293 mpm) (10 characters per inch, single line of print)

Font Matrix Configuration

Single-line: 5x5, 4x7, 5x7, 7x9, 9x12, 10x16, 16x24, 25x34

Twin-line: 5x5, 5x7, 7x9, 9x12, 10x16

Tri-line: 5x5, 4x7, 5x7, 7x9

Quad-line: 5x5, 4x7, 5x7

Five-line: 5x5

Linear Bar Codes*

UPC A&E; EAN 8 & 13; Code 128 A, B & C; UCC/EAN 128;

Code 39; Interleaved 2 of 5; 2D DataMatrix; GS1

DataMatrix Codes*

10x10, 12x12, 14x14, 16x16, 8x18, 18x18, 20x20, 22x22, 24x24, 16x26, 26x26, 8x32, 32x32, 34x34, 12x36, 16x36, 16x48

Nominal Character Height

Selectable from 0.079" (2 mm) to 0.40" (10 mm), depending on font

Throw Distance

Optimal: 0.472" (12 mm)

Range: 0.197" (5 mm) to 0.591" (15 mm)

User Interface

10.4" high-response TFT-LCD touch screen

WYSIWYG touch to edit message editing

Custom Logo/Graphics

Can be created via optional CLARISOFT® software

Character Sets

Chinese, Russian/Bulgarian, Turkish/Scandinavian, Greek, Arabic, Japanese/Kanji, Hebrew, Korean, East European and European/American

Languages and Interface Options

English, Arabic, Bulgarian, Czech, Danish, Dutch, Finnish, French, German, Greek, Hebrew, Hungarian, Italian, Japanese, Korean, Norwegian, Polish, Portuguese, Russian, Simple Chinese, Spanish, Swedish, Thai, Traditional Chinese, Turkish and Vietnamese

Data Interface

Ethernet (standard)

Clarisoft/Clarinet® via ethernet

Message management via USB

Message Storage

More than 250 complex messages

Environmental Protection

IP65 standard, no plant air required; 316 stainless steel cabinet

Printhead

Heated printhead

Positive air (standard)

Diameter: 1.63" (41.3 mm)

Length: 10.62" (269.8 mm)

Printhead Umbilical

Ultra flexible

Length: 9.84' (3 m) optional 19.69' (6 m)

Diameter: 0.91" (23 mm)

Bend radius: 4.0" (101.6 mm)

Make-Up Fluid Consumption

As low as 2.4 ml/hour

Fluids Containers

Ink Smart Cartridge™ 0.793 qt. (750 ml)

Make-Up Smart Cartridge 0.793 qt. (750 ml)

Temperature/Humidity Range

32°F to 122°F (0°C to 50°C)

0% to 90% RH non-condensing

With selected inks; actual installation may require additional hardware based on production environment conditions

Electrical Requirements

Nominal supply power 100-120 / 200-240 VAC at 50/60 Hz., 120 W

Approximate Weight

Unpacked and dry: 48.5 lbs. (22 kg)

Options

Dry air kit for high humidity (requires plant air)

60 or 70 micron nozzle

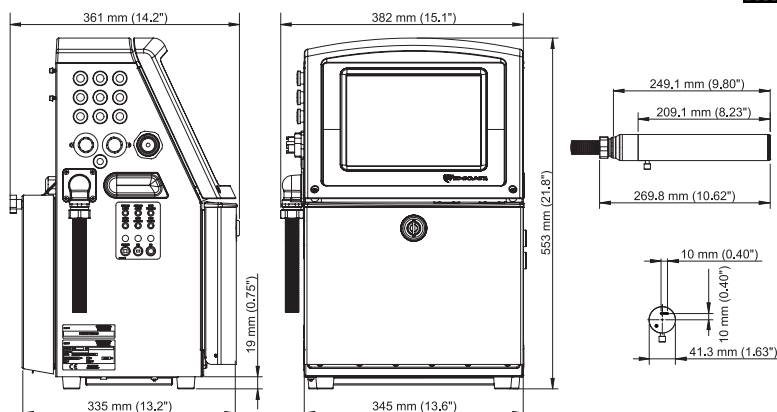
Food grade version

90 degree printhead

Wide range of accessories

** CLARISOFT Package Coding Design software required for bar codes and other advanced functionality.*

Dimensions



800-843-3610

www.videojet.com / info@videojet.com

Videojet Technologies Inc. / 1500 Mittel Blvd.

Wood Dale IL 60191 / USA

Phone 630-860-7300 Fax 800-582-1343