

# Videojet® 1620

Small Character Ink Jet Printer

## Ink Jet.

Laser.

Thermal Transfer.

Labelers.

Track & Trace.

Supplies.

Parts & Service.



Superior uptime in high speed applications for greater productivity. The all-new Videojet 1620 continuous ink jet printer is designed for customers with high speed production lines and around the clock coding, delivering 14,000 hours of production before required preventive maintenance. New vapor recovery feature allows for longer runs without intervention.

## Advanced capabilities

- Up to 5 lines of high resolution print with speeds up to 960 fpm (293 mpm)
- Wide range of bar codes, including 2D DataMatrix
- Advanced Clean Flow™ printhead design maximizes uptime
- Advanced connectivity makes integration simpler

## Superior environmental protection

- IP65 dust protection (no plant air required)

## Low running costs

- Longest run time between maintenance – 14,000 hour core life
- Make-Up consumption as low as 2.4 ml/hour
- Smart Cartridge™ fluid delivery system reduces waste

**VIDEOJET**  
Uptime Peace of Mind®



**Line Speed Capability**

Can print 1 to 5 lines of print at speeds of up to 960 fpm (293 mpm) (10 characters per inch, single line of print)

**Font Matrix Configuration**

Single-line: 5x5, 4x7, 5x7, 7x9, 9x12, 10x16, 16x24, 25x34  
Twin-line: 5x5, 5x7, 7x9, 9x12, 10x16  
Tri-line: 5x5, 4x7, 5x7, 7x9  
Quad-line: 5x5, 4x7, 5x7  
Five-line: 5x5

**Linear Bar Codes**

UPC A&E; EAN 8 & 13; Code 128 A, B & C; UCC/EAN 128; Code 39; Interleaved 2 of 5; 2D DataMatrix; GS1

**DataMatrix Codes**

10x10, 12x12, 14x14, 16x16, 8x18, 18x18, 20x20, 22x22, 24x24, 16x26, 26x26, 8x32, 32x32, 34x34, 12x36, 16x36, 16x48

**Nominal Character Height**

Selectable from 0.079" (2 mm) to 0.40" (10 mm), depending on font

**Throw Distance**

Optimal: 0.472" (12 mm)  
Range: 0.197" (5 mm) to 0.591" (15 mm)

**Keyboard**

Membrane style with tactile feedback, including 72 numeric, alphabetic, and special function keys. PC-style layout to approximate international PC convention.

**Display**

320x240 Bright blue backlit 5.7" LCD display.  
WYSIWYG onscreen message editing

**Custom Logo/Graphics**

Can be created by individual user on printer or PC with optional Videojet Logo Creator software

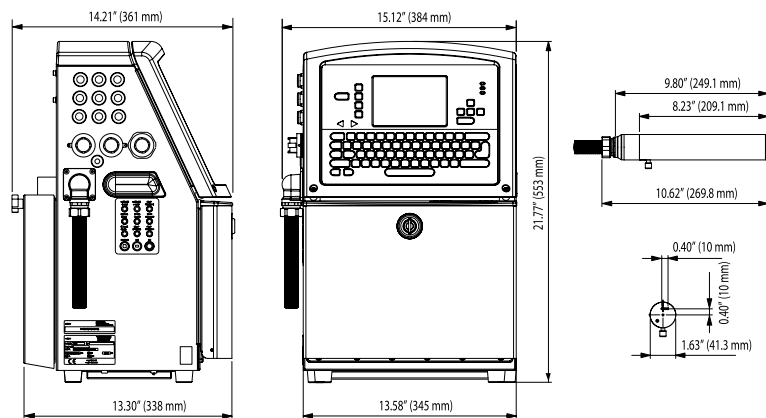
**Character Sets**

Chinese, Russian/Bulgarian, Turkish/Scandinavian, Greek, Arabic, Japanese/Kanji, Hebrew, Korean, East European and European/American

**Languages and Interface Options**

English, Arabic, Bulgarian, Czech, Danish, Dutch, Finnish, French, German, Greek, Hebrew, Hungarian, Italian, Japanese, Korean, Norwegian, Polish, Portuguese, Russian, Simple Chinese, Spanish, Swedish, Thai, Traditional Chinese, Turkish and Vietnamese

**Dimensions**



**Data Interface**

RS232, RS485 and ethernet (standard)  
Clarisoft/Clarinet® via RS232 and ethernet  
Message management via USB

**Message Storage**

250 complex messages

**Environmental Protection**

IP65 standard, no plant air required; stainless steel cabinet

**Printhead**

Heated printhead  
Positive air (standard)  
Diameter: 1.63" (41.3 mm)  
Length: 10.62" (269.8 mm)

**Printhead Umbilical**

Ultra flexible  
Length: 9.84' (3 m) optional 19.69' (6 m)  
Diameter: 0.91" (23 mm)  
Bend radius: 3.00" (76.2 mm)

**Make-Up Fluid Consumption**

As low as 2.4 ml/hour

**Fluids Containers**

Ink Smart Cartridge™ 0.793 qt. (750 ml)  
Make-Up Smart Cartridge 0.793 qt. (750 ml)

**Temperature/Humidity Range**

32°F to 122°F (0°C to 50°C)  
0% to 90% RH non-condensing  
*With selected inks; actual installation may require additional hardware based on production environment conditions*

**Electrical Requirements**

Nominal supply power 100-120 / 200-240 VAC at 50/60 Hz., 120 W

**Approximate Weight**

Unpacked and dry: 46.2 lbs. (21 kg)

**Options**

Dry air kit for high humidity (requires plant air)  
Expanded I/O for remote message select and remote printer shut-off  
60 or 70 micron nozzle  
Food grade version  
90 degree printhead  
Wide range of accessories



800-843-3610

[www.videojet.com](http://www.videojet.com) / [info@videojet.com](mailto:info@videojet.com)

Videojet Technologies Inc. / 1500 Mittel Blvd.

Wood Dale IL 60191-1073 / USA

Phone 630-860-7300 Fax 800-582-1343

