



Continuous Inkjet

# Videojet® 1660

The 1660 is engineered to deliver increased uptime and reduced cost of ownership to enhance profitability in high-speed applications.

When it comes to uptime and availability in hi-speed, challenging environments, nothing beats the 1660. The Long Life Core™ technology offers five years of operation between planned wear parts replacement, delivering maintenance predictability and lower cost of ownership.<sup>(1)</sup>

Advanced on-board Productivity Tools and built-in Code Assurance software help minimize planned and unplanned downtime, reduce coding errors and optimize Overall Equipment Effectiveness. The 1660 is ideal for multi-shift and extended production periods with line speeds up to 960 feet per minute.



## Uptime Advantage

- Long Life Core™ guarantees 5 years continuous operation from point of installation<sup>(1)</sup>
- Dynamic Calibration™ keeps your print quality optimal in changing environmental conditions
- CleanFlow™ printhead technology reduces ink buildup and lets you run longer between printhead cleanings

## Built-in productivity

- User interface not only shows the printer availability percentage, but also the data behind it
- Advanced drill down capability to trace downtime events to their root cause, so you can fix them
- Configurable settings let you track availability to match your production processes and OEE methods
- Recover faster with CLARITY's one touch fault information

<sup>(1)</sup> Parts-only limited warranty prorated for the remaining life at time of warranty replacement.

## Code Assurance

- Prevent costly coding mistakes with CLARITY-based user interface
- Foolproof set-up wizards make it easy to get codes right and hard to get them wrong
- Further reduce errors by pulling data directly from database systems

## Simple usability

- Large, responsive 10.4" touchscreen is easy to operate and visible from a distance
- Smart Cartridge™ fluid system significantly reduces waste, mess and mistakes
- Automatic start-up and shutdown

# Videojet® 1660

## Continuous Inkjet

### Line speed capability

Can print 1 to 5 lines of print at speeds of up to 960fpm (293mpm)  
(10 characters per inch, single line of print)

### Font matrix configuration

Single-line: 5x5, 4x7, 5x7, 7x9, 9x12, 10x16, 16x24, 25x34  
Twin-line: 5x5, 5x7, 7x9, 9x12, 10x16  
Tri-line: 5x5, 4x7, 5x7, 7x9  
Quad-line: 5x5, 4x7, 5x7  
Five-line: 5x5

### Linear bar codes\*

UPC A&E; EAN 8 & 13; Code 128 A, B & C; UCC/EAN 128;  
Code 39; Interleaved 2 of 5; 2D DataMatrix; GS1

### DataMatrix codes\*

10x10, 12x12, 14x14, 16x16, 8x18, 18x18, 20x20, 22x22, 24x24, 16x26,  
26x26, 8x32, 32x32, 34x34, 12x36, 16x36, 16x48

### Nominal character height

Selectable from 0.079" (2mm) to 0.40" (10mm), depending on font

### Throw distance

Optimal: 0.472" (12mm)  
Range: 0.197" (5mm) to 0.591" (15mm)

### User interface

10.4" high-response TFT-LCD touch screen  
WYSIWYG touch to edit message editing

### Custom logo/graphics

Can be created via optional CLARISOFT® software

### Character sets

Chinese, Russian/Bulgarian, Turkish/Scandinavian, Greek, Arabic,  
Japanese/Kanji, Hebrew, Korean, East European and European/American

### Languages and interface options

English, Arabic, Bulgarian, Czech, Danish, Dutch, Finnish, French,  
German, Greek, Hebrew, Hungarian, Italian, Japanese, Korean,  
Norwegian, Polish, Portuguese, Russian, Simple Chinese, Spanish,  
Swedish, Thai, Traditional Chinese, Turkish and Vietnamese

### Data interface

Ethernet (standard)  
Clarisoft/Clarinet® via ethernet  
Message management via USB

### Message storage

More than 250 complex messages

### Environmental protection

IP65 standard, no plant air required; 316 stainless steel cabinet

### Printhead

Heated printhead  
Positive air (standard)  
Diameter: 1.63" (41.3mm)  
Length: 10.62" (269.8mm)

### Printhead umbilical

Ultra flexible  
Length: 9.84' (3m) optional 19.69' (6m)  
Diameter: 0.91" (23mm)  
Bend radius: 4.0" (101.6mm)

### Make-up fluid consumption

As low as 2.4ml per hour

### Fluids containers

Ink Smart Cartridge™ 0.793 qt. (750ml)  
Make-up Smart Cartridge 0.793 qt. (750ml)

### Temperature/humidity range

32°F to 122°F (0°C to 50°C)  
0% to 90% RH non-condensing  
*With selected inks; actual installation may require additional hardware based on production environment conditions*

### Electrical requirements

Nominal supply power 100-120 / 200-240 VAC at 50/60 Hz, 120 W

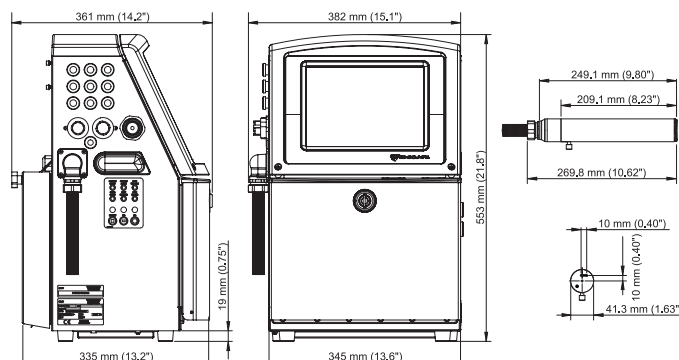
### Approximate weight

Unpacked and dry: 48.5lbs. (22kg)

### Options

Dry air kit for high humidity (requires plant air)  
60 or 70 micron nozzle  
90 degree printhead  
Wide range of accessories

\* CLARISOFT Package Coding Design software required for bar codes and other advanced functionality.



CERTIFIED  
ISO 9001  
DOCUMENTED QUALITY



## SORIM HOLDING

Remy Ollier Street / Port Louis / MAURITIUS

Email : [info@sorim-holding.com](mailto:info@sorim-holding.com)

visit : [www.sorim-holding.com](http://www.sorim-holding.com)



©2015 Videojet Technologies Inc. — All rights reserved.

Videojet Technologies Inc.'s policy is one of continued product improvement.  
We reserve the right to alter design and/or specifications without notice.

Part No. SL000611  
ss-1660-us-0815  
Printed in U.S.A.

