



Laser Marking System

Videojet® 3350 Series

Unparalleled digitally-enabled capabilities from the ultimate laser solution for marking complex and high-quality codes at lightning fast speeds.

Packaging operations that require high-quality, crisp codes for marking at high speeds can rely on the Videojet 3350 CO₂ laser solution to help meet maximum throughput with consistent print quality. With virtually no font, code or graphic restrictions and line speeds up to 900 m/min., the 3350 is an ideal solution for marking complex codes at high speeds in food, beverage, cosmetics, pharmaceutical and extrusion industries.

Equipped with cutting-edge automatic and dynamic marking capabilities, the 3350 Smart Focus allows for seamless product changeovers without any manual intervention, supporting the journey to Industry 4.0.



Uptime Advantage

- Maximum performance and extended laser source life expectancy up to 45,000 hours through optimized total power output
- Air-cooled laser source virtually eliminates maintenance intervals
- Line set up wizard, available with optional CLARiTY™ Laser Controller, aids fast product changeovers, eliminating set up trial and error and minimizing planned downtime

Built-in productivity

- High-speed marking capability prints up to 2,000 characters per second of text, bar codes, graphics, and other information
- Largest marking window in the industry offers optimally matched applications for higher throughput
- Wi-Fi and cellular* connectivity capabilities offer advanced remote services to improve printer availability and OEE
- Reduced manual intervention with Smart Focus marking head that delivers automated marking features

Code Assurance

- Optional CLARiTY™ Laser Controller offers built-in software features that help reduce operator errors and ensure products are coded correctly
- High-resolution marking head delivers high-quality and permanent codes to support product traceability and anti-counterfeiting
- High-resolution marking head delivers consistent, crisp codes

Simple usability

- Multiple marking heads and wavelengths provide the flexibility to code a wide range of materials
- Quick set up and easy redeployment via detachable umbilical cable for easy routing on the line and simple-to-use accessory connections
- Operator interface options plus a choice of networking communications to match your preferred workflow

**Subject to availability in your country*

Videojet® 3350 Series

Laser Marking System

Marking speed

Up to 2,000 characters/sec. (application dependent)

Line speed

Up to 15m/sec. (49ft./sec.) (application dependent)

Marking window

Approx. 30.8x38.2mm² to 601.0x439.8mm²

Wavelengths

10.6µm, 10.2µm and 9.3µm

Marking formats

Standard industrial fonts (Type 1 Windows® TrueType®) and Single line fonts Machine-readable codes (OCR, 2D-matrix, etc.)

Bar codes: BC25, BC251, BC39, BC128, GS1-128, EAN13, UPC_A, RSS14, RSS14 Truncated, RSS14 Stacked, RSS14 Stacked, Omnidirectional, RSS Limited, RSS Expanded, etc.

2D codes: Datamatrix, DMRE, GS1, QR

Graphics, logos, symbols, etc.

Linear, circular, angular, reverse, rotate

Sequential and batch numbering

Automatic date, layer, and time coding; real-time clock

Dot mode enables marking 2D codes faster than traditional grid mode

Laser tube

Sealed CO₂ laser, power class 30-Watt

Beam deflection

Steered beam with digital high-speed galvanometer scanners

Focusing

Focal lengths: 64/ 95/ 127/ 190/ 254 mm (2.5/ 3.75/ 5.0/ 7.5/ 10.0 inches); 63.5/ 85/ 100/ 150/ 200/ 300/ 351/ 400 mm (2.50/ 3.35/ 3.94/ 5.9/ 7.87/ 11.8/ 13.8/ 15.75 inches); 400/ 500/ 600 mm (15.75/ 19.68/ 23.62 inches) 94 - 144mm (3.7 - 5.6 inches) (Smart Focus head only)

Operator interfaces

TCS+ touch control software

Smart Graph software for PC; configurable in 30 languages (option)

CLARITY™ control software

TCS+

Browser-enabled software for intuitive creation of complex jobs on standard web browser compatible devices

Support for 30 languages

Full user access control and role definition

Event log for history of user interactions

Graphical guided line setup wizard

Easy system and parameter configuration

WYSIWYG editor

Smart Graph software

Graphic-orientated user interface for Windows®

Text / data / graphics / parameter editor

Configurable in 30 languages, e.g. in German, English, Japanese

Easy import functions for the most important file formats (dxf, jpg, ai, etc.)



Communication

Ethernet (TCP/IP, 100Mbit LAN), EtherNet/IP™, ProfiNet®, RS232, digital I/Os

Inputs for encoders and product detector triggers

I/Os for start, stop, external error, job select, trigger, trigger enable, encoder; system ready, ready to mark, marking, shutter closed, error, bad, good signals and machine/ operator interlocks

Access box for Wi-Fi and cellular capability (Subject to availability in your country)

Customer-specific solutions

Integration

Direct integration into complex production lines via scripting interface

Flexible beam delivery options (beam extension unit/ beam turning unit)

Detachable umbilical for simple integration; available in 3 lengths

Electrical requirements

100-240 VAC (autorange), ~50/60Hz, 1PH, 0.70KW

Cooling system

Air cooled

Environment

Temperature 40-105° F (5-40° C)

Humidity 10%-90%, non-condensing

Sealing and safety standards

Supply Unit: IP54, optional IP65

Marking Unit: IP54, optional IP65

Optional safety module provides Performance Level d (PFL-d) in accordance to EN ISO 13849-1

IEC/EN 60825-1

Approximate weight

Supply unit: IP54/IP65 25.4lbs. (11.5kg)

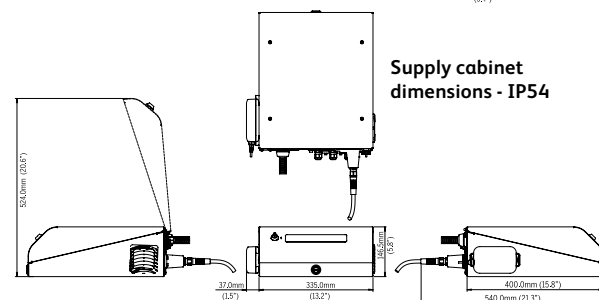
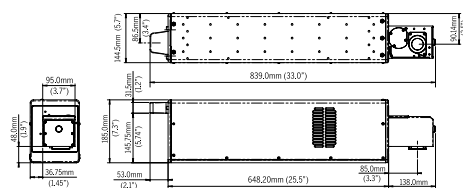
Marking unit: IP54 42.1lbs. (19.1kg); IP65 44.1lbs. (20kg)

Applicable certifications

CE, TÜV/NRTL, FCC, KC, BIS

Compliance (no certification required): ROHS, CDRH/FDA

Marking unit dimensions - IP54 with Smart Focus (SHC-SF) marking head



Web : www.sorim-holding.com
Email : info@sorim-holding.com

©2023 Videojet Technologies Inc. — All rights reserved.

Videojet Technologies Inc.'s policy is one of continued product improvement.

We reserve the right to alter design and/or specifications without notice. Windows is a registered trademark of Microsoft Corporation. TrueType is a registered trademark of Apple Inc., registered in the United States and other countries.

Part No. SL000722

ss-3350-us-0523

Printed in U.S.A.

